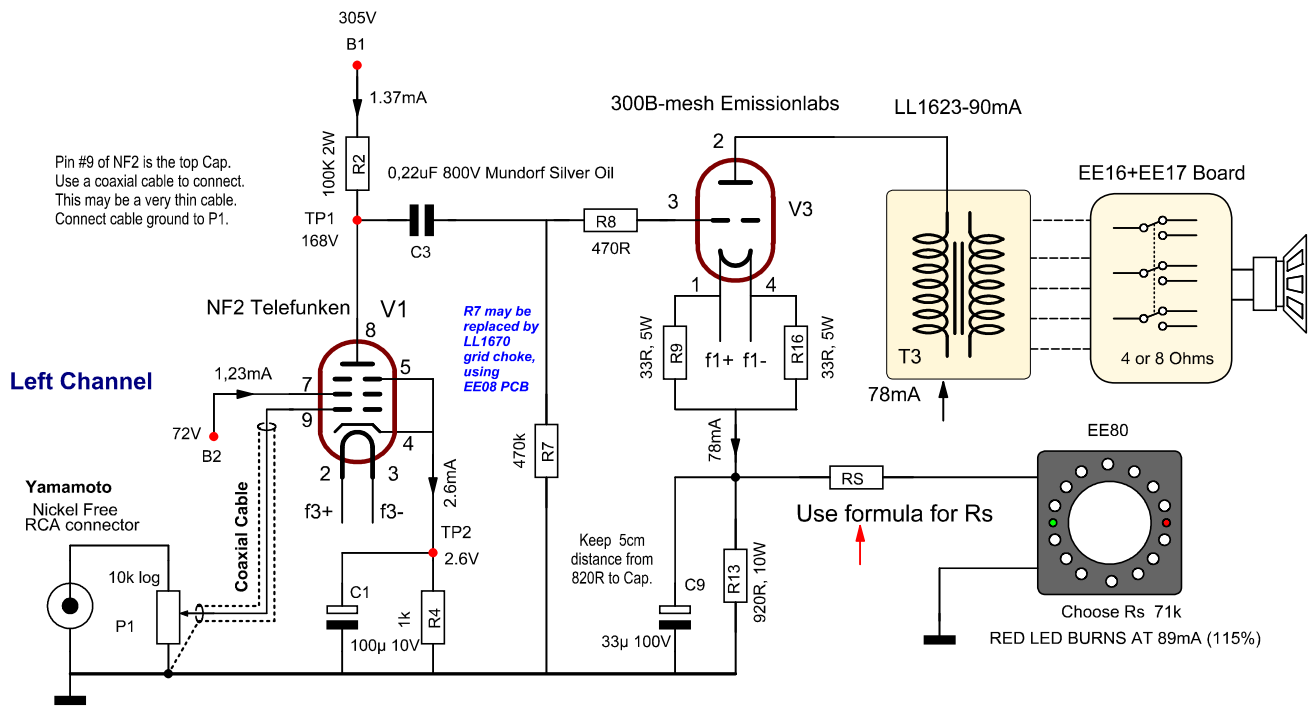


## 300B Amplifier, with NF2 driver tube

# EXAMPLE ONLY



Document Title:	EXAMPLE OF HOW TO CONNECT EE80		
Date created:	27-Aug-2023	Last Revision:	
Pages:	1	of	1
Created by:	Dipl. Ing. Jac van de Walle www.jacmusic.com (Copyright)		JAC MUSIC